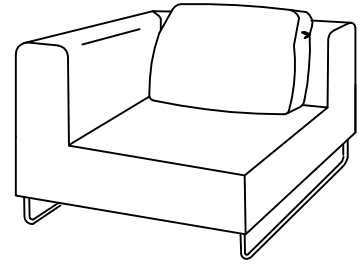
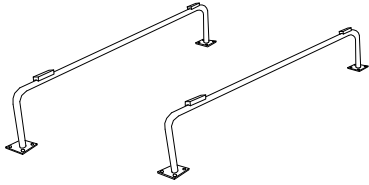


**SOFT
LINE**

LOTUS / OHIO



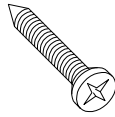
www.softline.dk



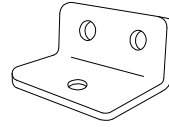
A x 2



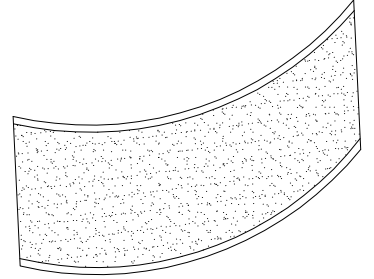
B x 4



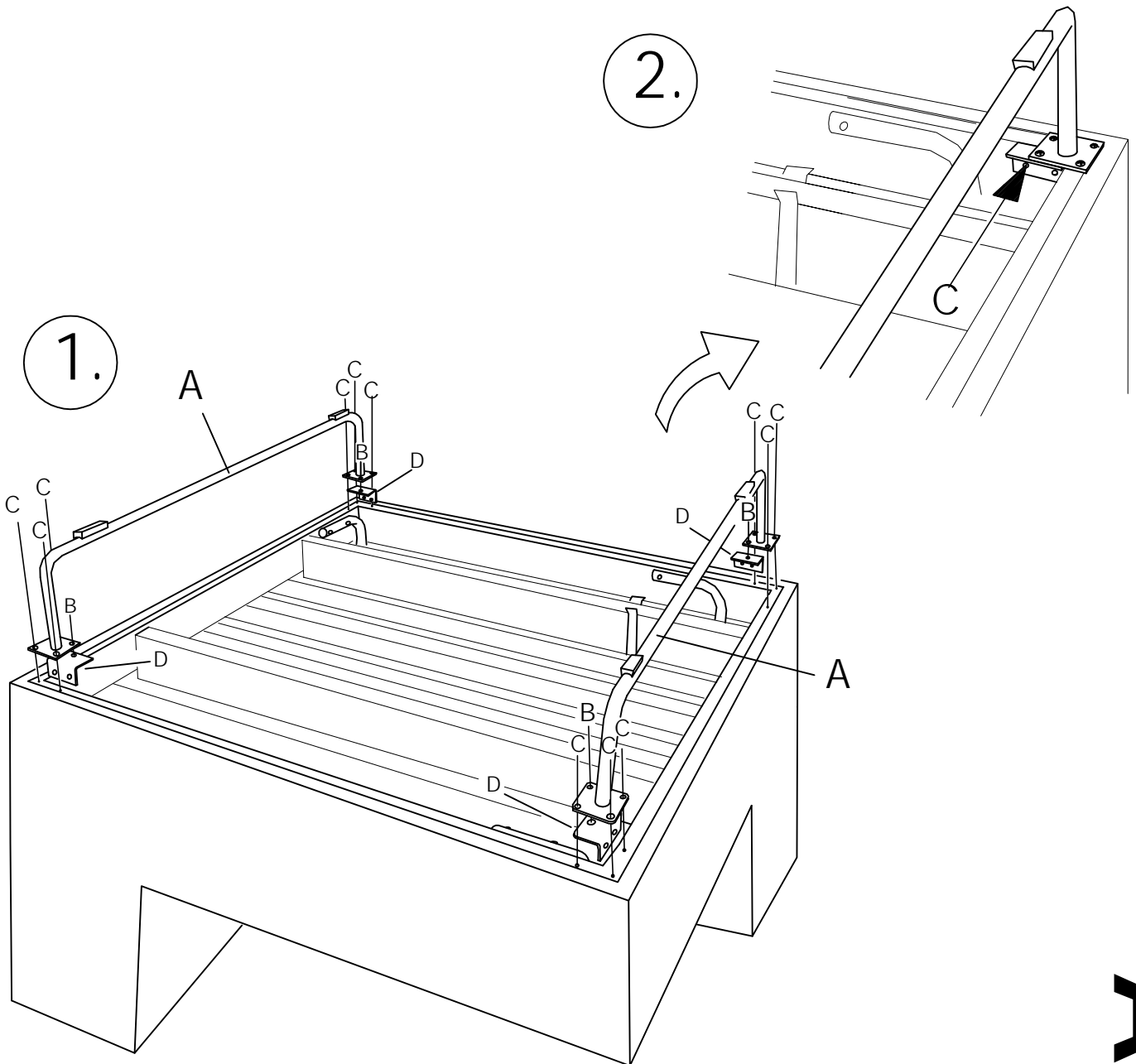
C x 20



D x 4



E x 1



A

