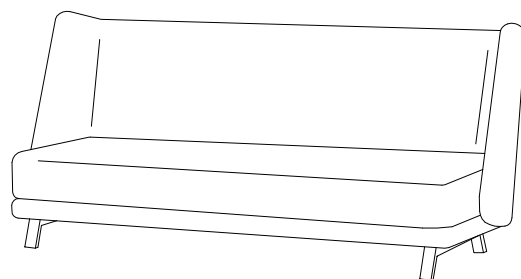


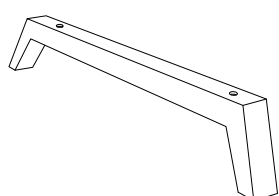
**SOFT
LINE**

JASON SOFA

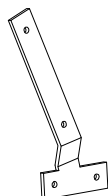
Design: Busk+Hertzog



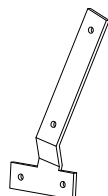
www.softline.dk



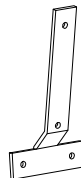
A x 2



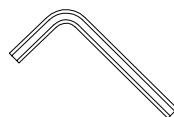
B x 1



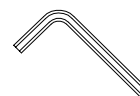
C x 1



D x 2



E x 1



F x 1

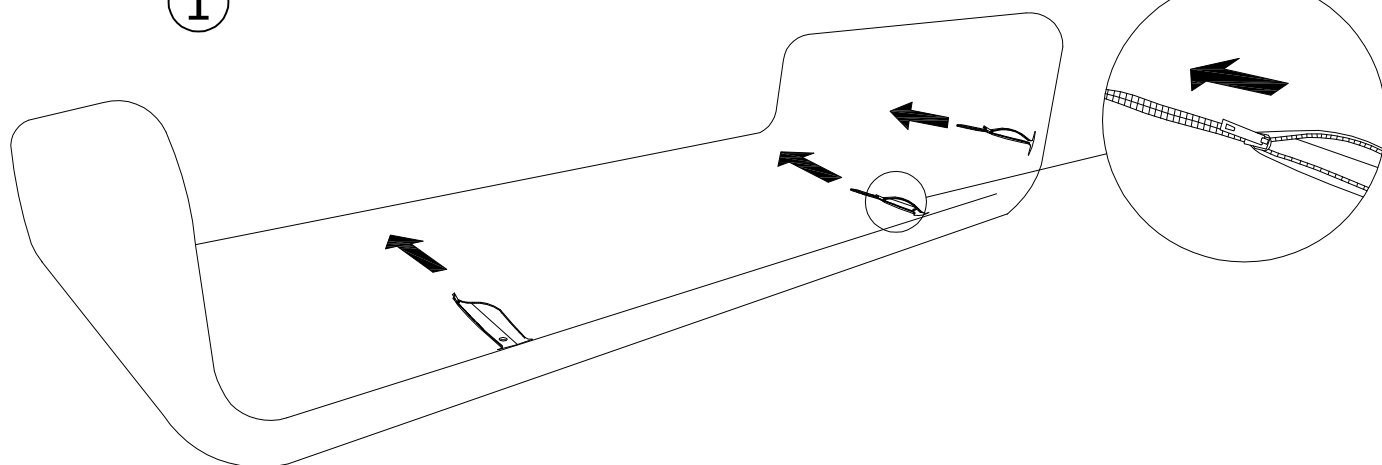


G x 4

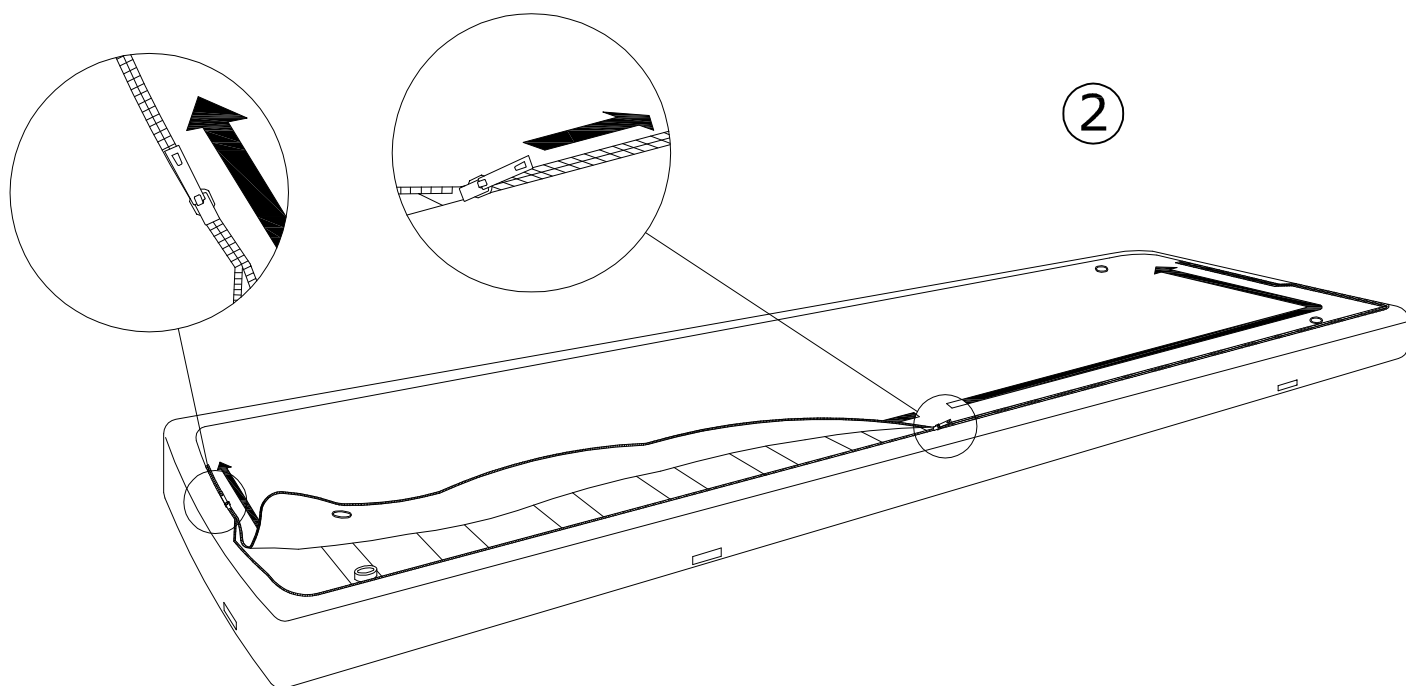


H x 16

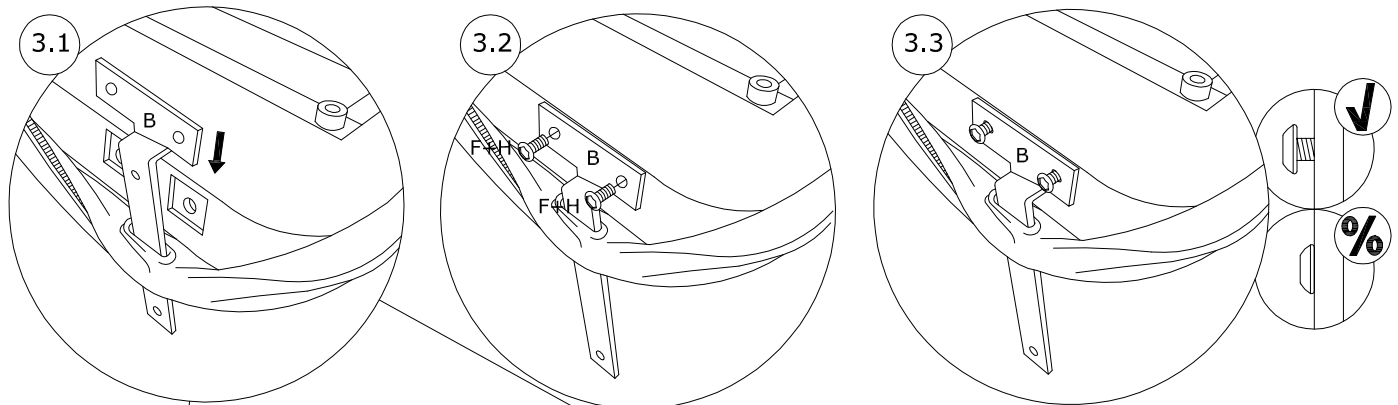
①



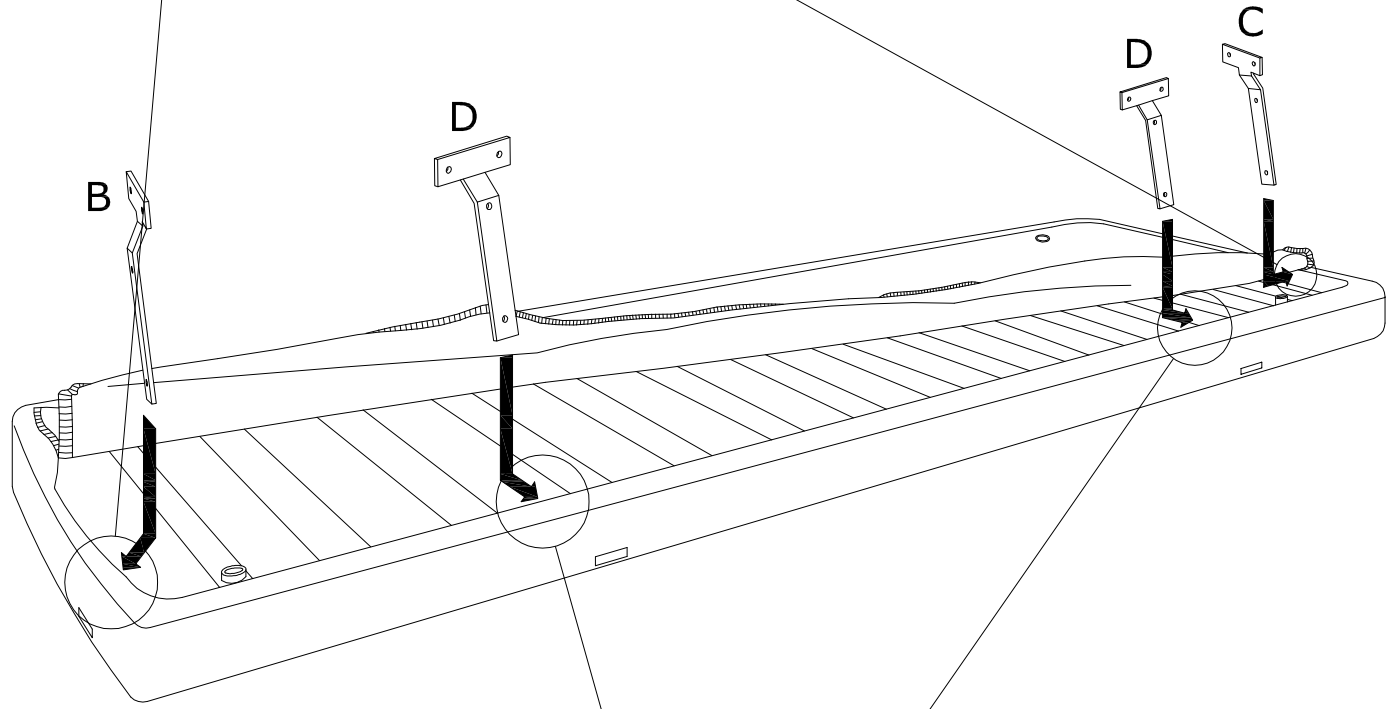
②



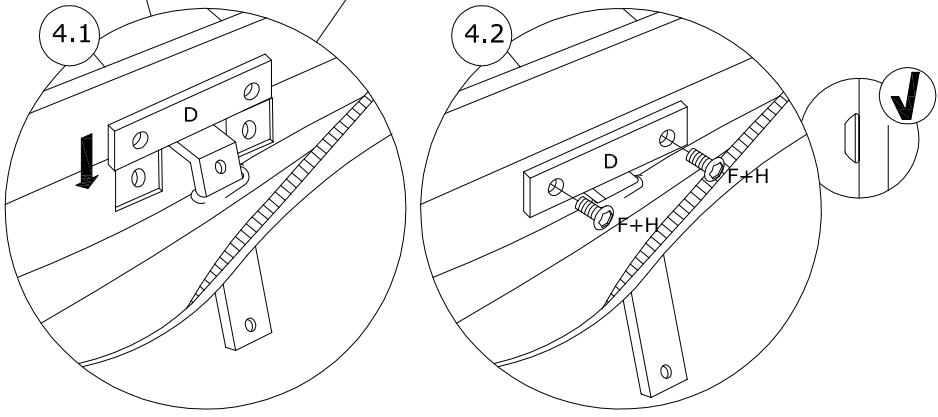
3



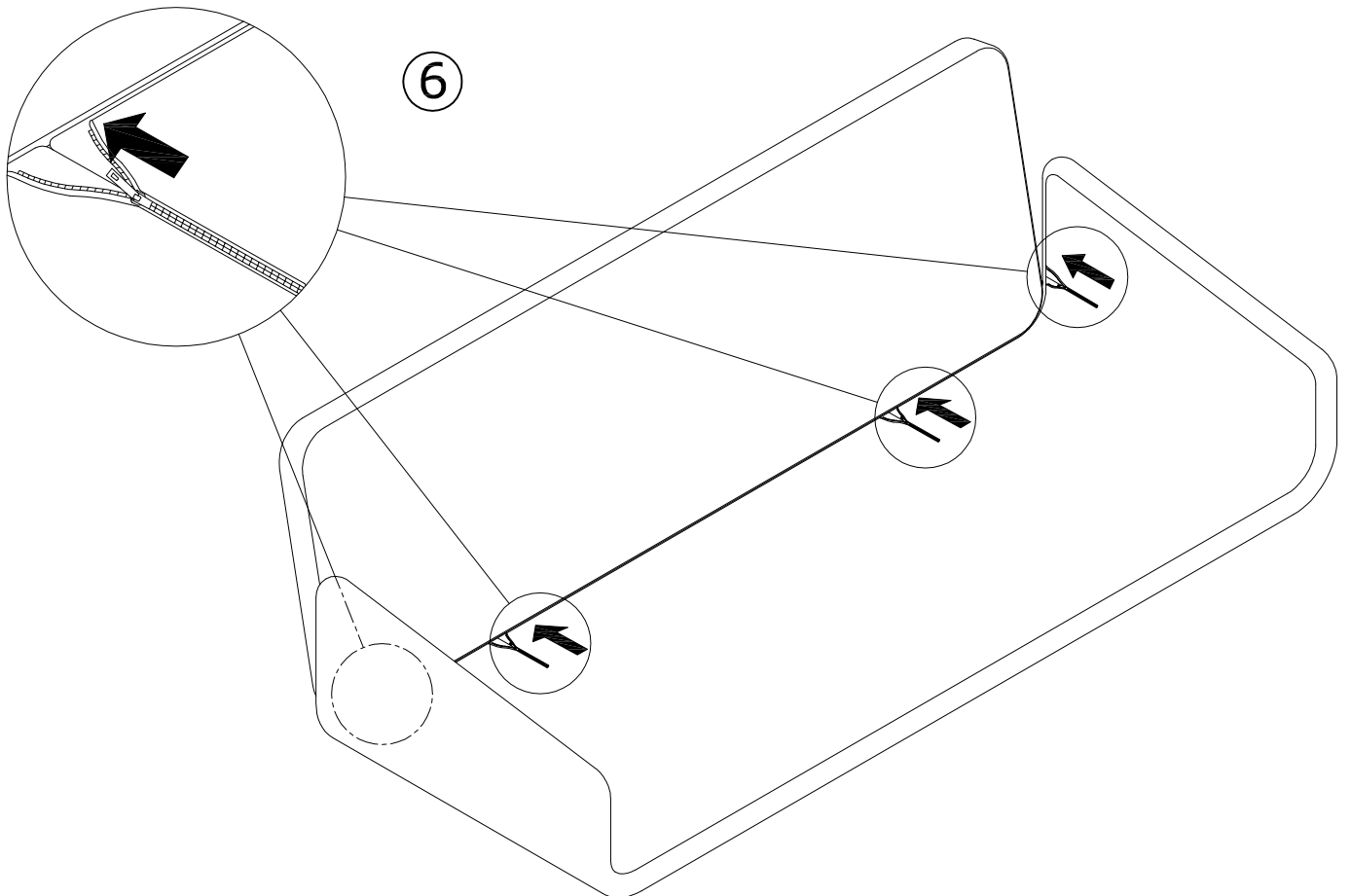
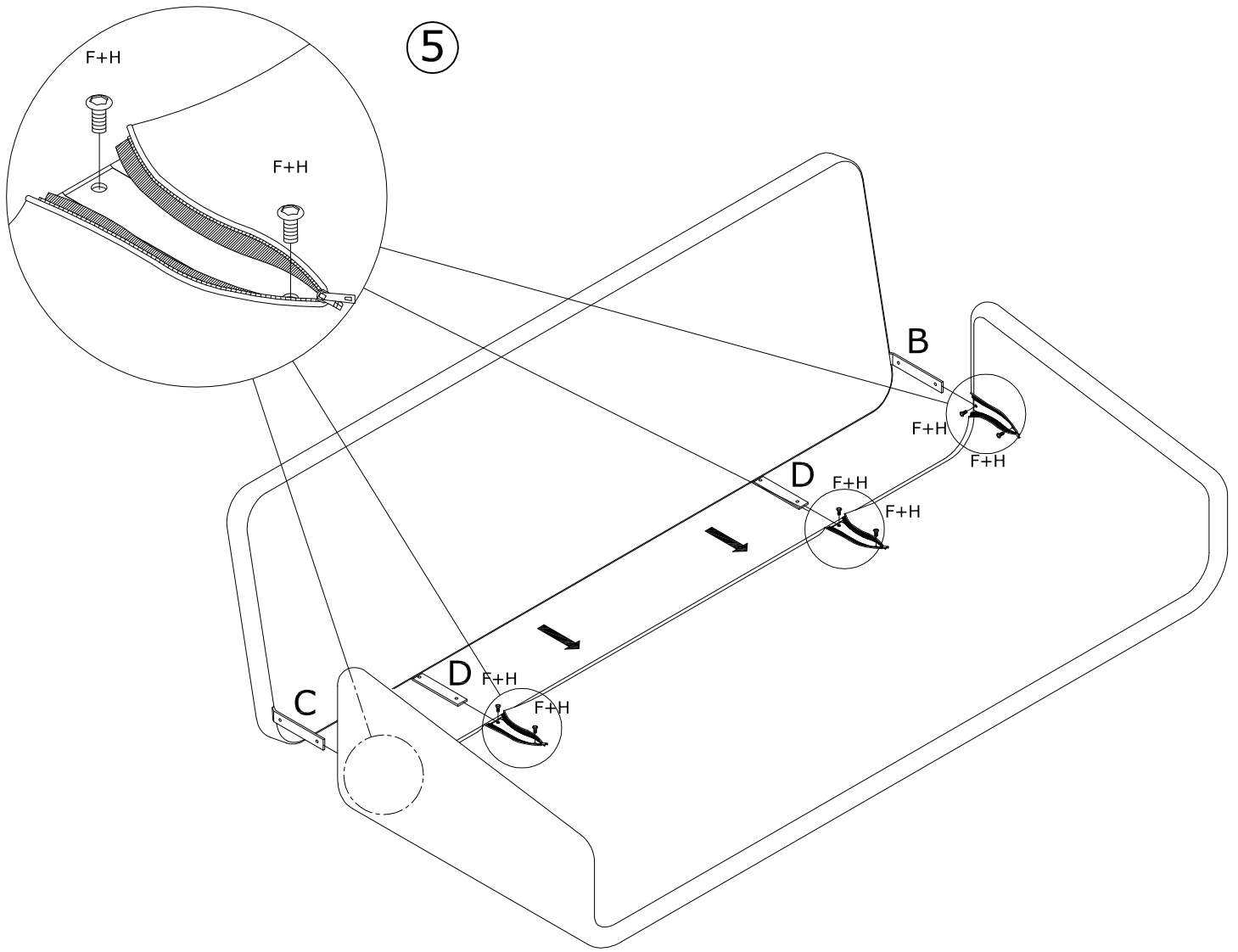
Attach the bracket to the frame using the screws 'H'. Do not tighten the screws at this point!



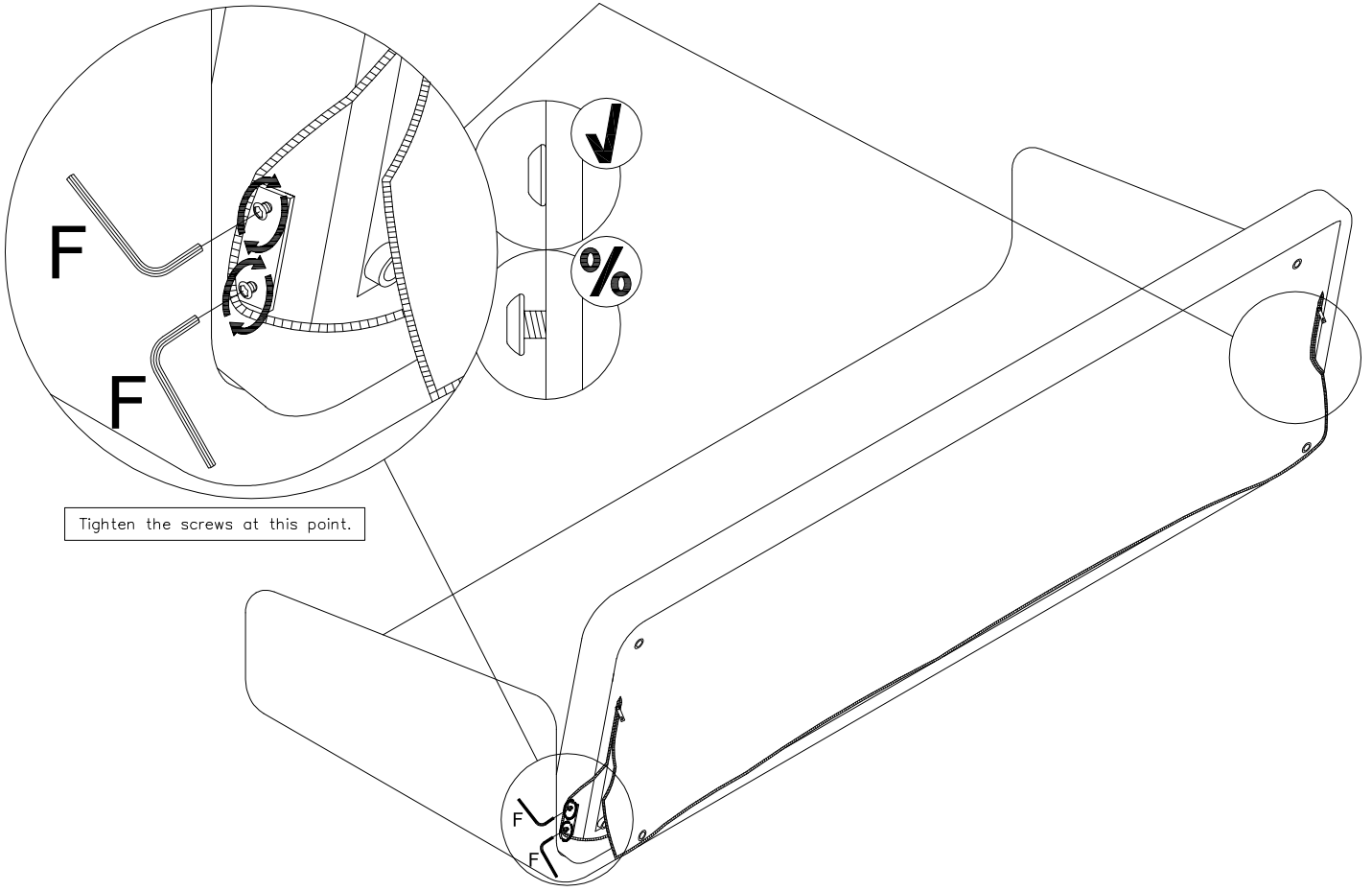
4



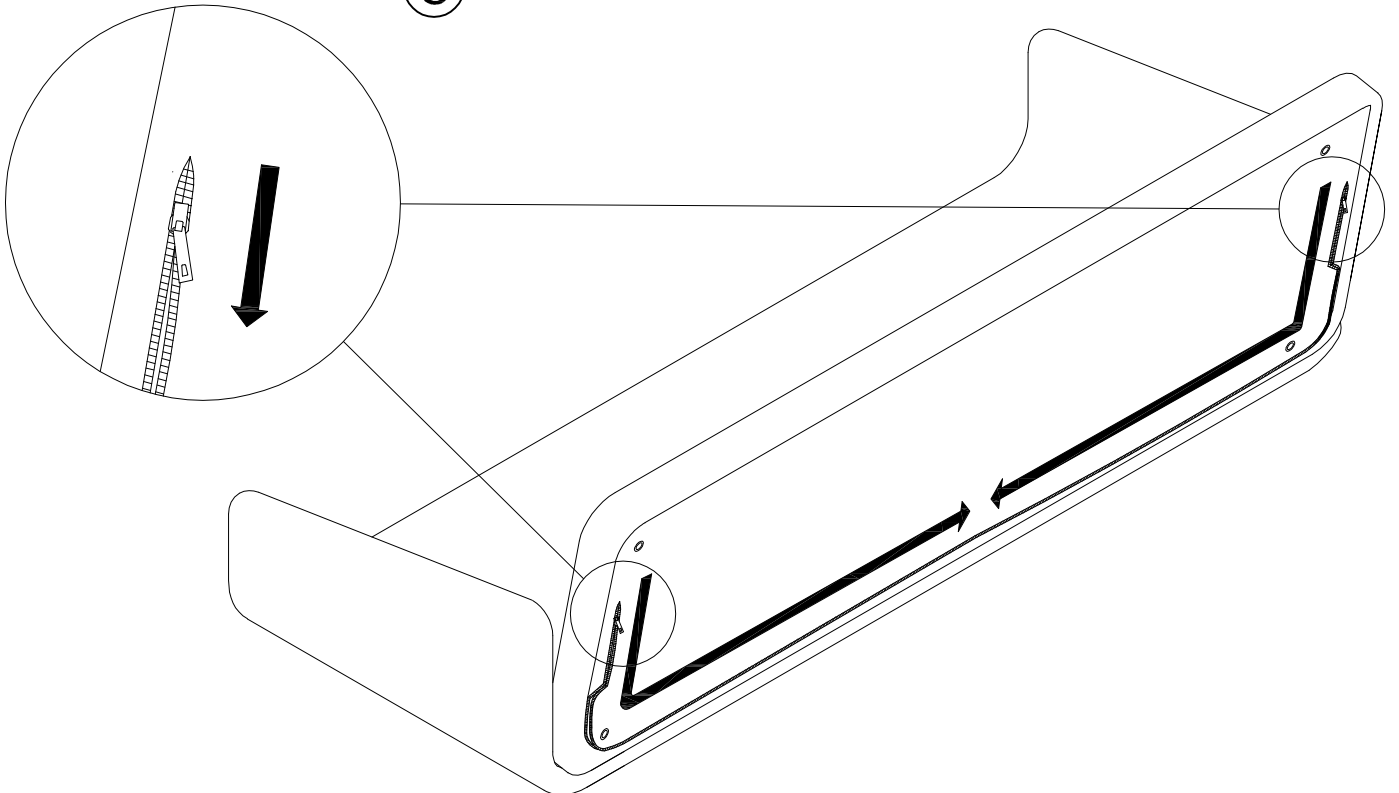
Attach the bracket to the frame using the screws 'H'. Tighten the screws. 'H'



7



8



9

